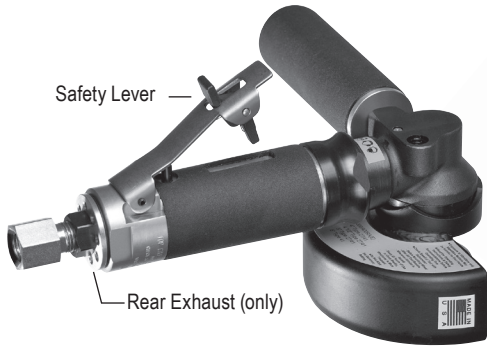
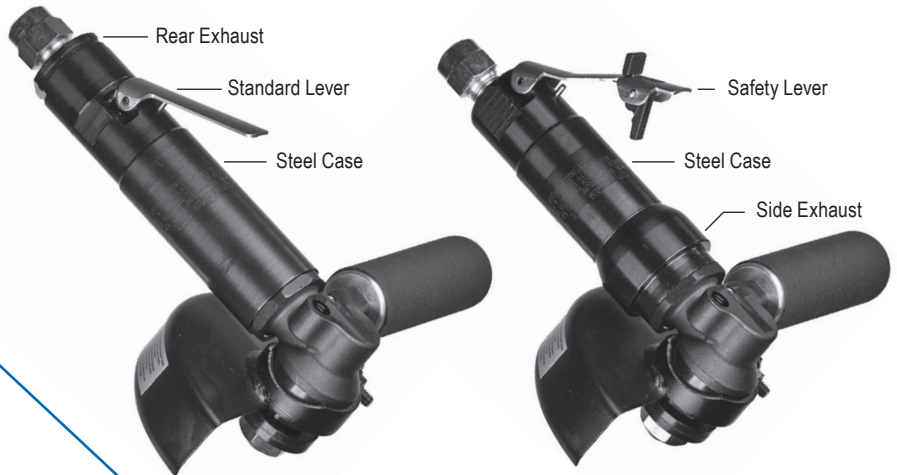


## Short Right Angle Grinders for Type 27, Type 27 Cut-Off (Type 42) & Type 1 Cut-Off (Type 41) Wheels

### 300RA Series



### 400RA/410RA Series

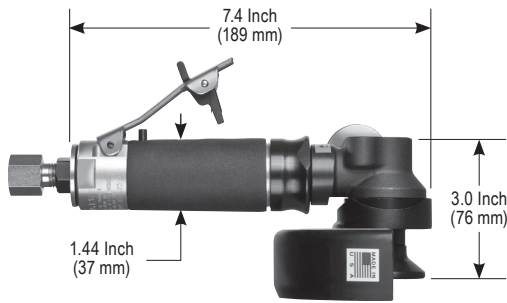


300RA4K;15000;427

400RA2RS;10000;4527

400RA2SK;10000;4527

Wheel Size	Exhaust Direction	Lever Style	MODEL NUMBER		Wheel Size	Rated Speed	Exhaust Direction	Lever Style	MODEL NUMBER	
			Type 27 Wheels (Type 42)	Type 1 or Type 1 Cut-Off Wheels (Type 41)					Type 27 Wheels (Type 42)	Type 1 or Type 1 Cut-Off Wheels (Type 41)
4 Inch (100 mm)	Rear	Standard Lever	300RA4;15000;427	300RA1;15000;441	4 1/2 Inch (115 mm)	10000 RPM	Side	Standard Lever	400RA2S;10000;4527	400RA2S;10000;4541
		Safety Lever	300RA4K;15000;427	300RA1K;15000;441				Safety Lever	400RA2SK;10000;4527	400RA2SK;10000;4541
Standard Lever		300RA2;13000;4527	300RA2;13000;4541	Rear			Standard Lever	400RA2RS;10000;4527	400RA2RS;10000;4541	
		Safety Lever	300RA2K;13000;4527				300RA2K;13000;4541	Safety Lever	400RA2RSK;10000;4527	400RA2RSK;10000;4541
4 1/2 Inch (115 mm)	Standard Lever	300RA2;13000;4527	300RA2;13000;4541	13000 RPM		Side	Standard Lever	410RA2S;13000;4527	410RA2S;13000;4541	
		Safety Lever	300RA2K;13000;4527				300RA2K;13000;4541	Safety Lever	410RA2SK;13000;4527	410RA2SK;13000;4541
Standard Lever	410RA2S;13000;4527	410RA2S;13000;4541	Rear			Standard Lever	410RA2RS;13000;4527	410RA2RS;13000;4541		
	Safety Lever	410RA2SK;13000;4527				410RA2SK;13000;4541	Safety Lever	410RA2RSK;13000;4527	410RA2RSK;13000;4541	



0.7 H.P.  
(600 W)



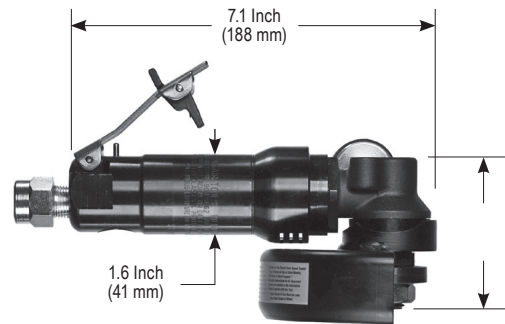
25 cfm  
(11.8 L/s) Max



2.8 Lbs. (1.3 Kg) Aluminum  
3.2 Lbs. (1.5 Kg) Steel



1/4" NPT Inlet  
3/8" (10 mm) Hose Size



1.2 H.P.  
(900 W)



35 cfm  
(16.5 L/s) Max



3.2 Lbs. (1.5 Kg) Aluminum  
3.8 Lbs. (1.7 Kg) Steel



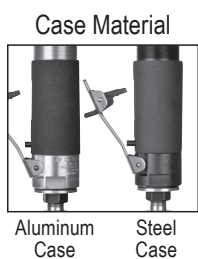
3/8" NPT Inlet  
1/2" (13 mm) Hose Size

### STANDARD EQUIPMENT

- Tool
- Operating Instructions and Service Manual
- Wrenches (sizes based on options)



### 300RA Alternate Options



### 400RA Alternate Options



### Wheel Mounting

